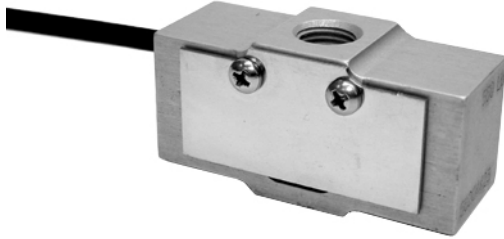


Compact Tension/Compression Load Cell



FEATURES

- Capacities 50 - 51 0lb
- Anodized aluminum construction
- IP65 protection
- For use in tension or compression

DESCRIPTION

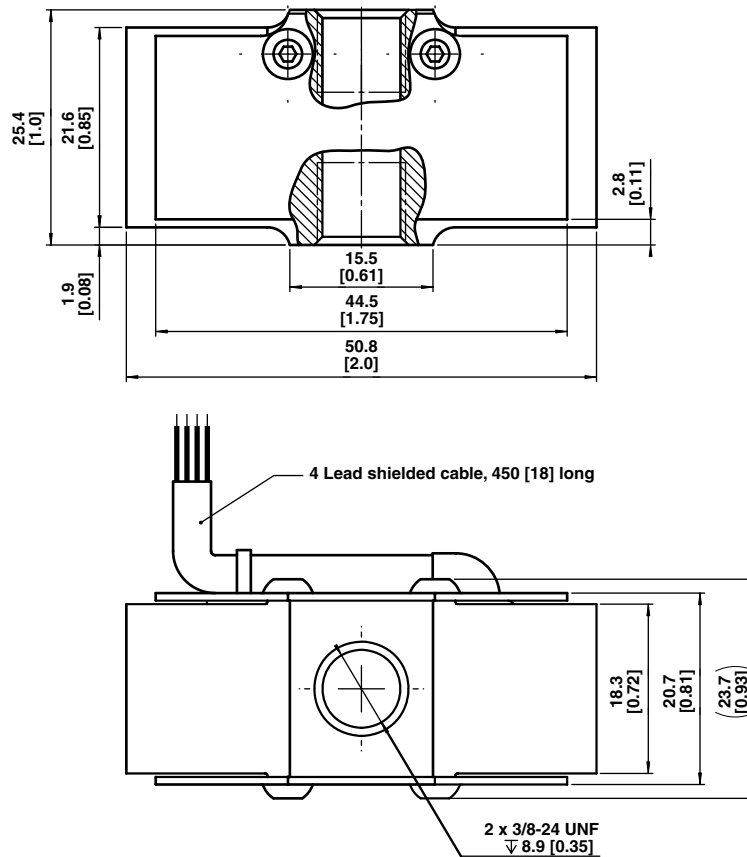
Model 327 is a universal tension-compression load cell. Its compact envelope makes the 327 suitable for small size applications.

Its low profile makes the 327 ideal for applications requiring minimal installation height.

APPLICATIONS

- Hanging scales
- General force measurement

OUTLINE DIMENSIONS in mm [inch]



SPECIFICATIONS

PARAMETER	VALUE	UNIT
Rated capacity-R.C.	50, 100, 150, 200, 250, 300, 500, 1000, 2000, 5000, 10000, 20000, 50000, 100000, 200000, 500000, 1000000	lb
Accuracy class	Non-Approved	
Rated output-R.O.	2.0	mV/V
Rated output tolerance	0.2	±mV/V
Zero balance	0.2	±mV/V
Total Error	0.25	±% of R.O.
Creep & Zero Return	0.10	±% of load
Temperature effect on zero	0.025	±% of R.O./°C
Temperature effect on output	0.010	±% of load/°C
Operating temperature range	-10 to +40	°C
Safe temperature range	-30 to +70	°C
Maximum safe static overload	150	% of R.C.
Ultimate static overload	200	% of R.C.
Recommended excitation	10	Vdc or Vac
Maximum excitation	15	Vdc or Vac
Input impedance	450±40	Ω
Output impedance	350±5	Ω
Insulation resistance	>2000	MΩ
Cable length	45	cm
Construction	Anodized aluminum	

Wiring Schematic Diagram (For positive signal under tension load)

